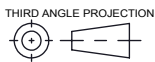
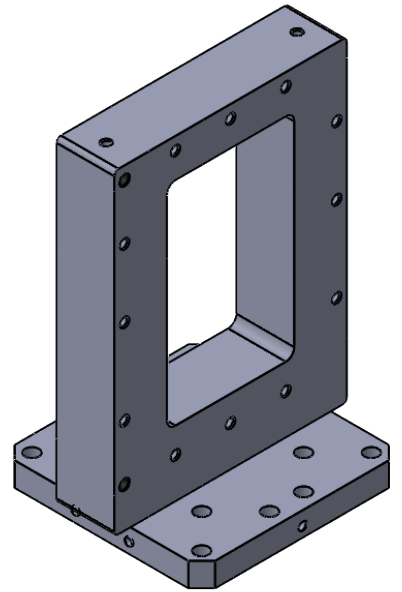
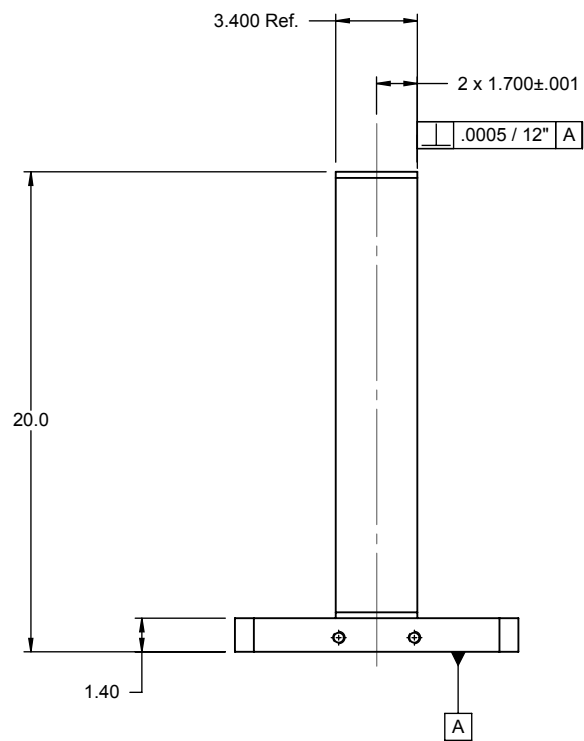


Please provide a drawing of your pallet to mate hold down holes.  
 Edge Locator hole locations and / or Center pilot size.

$\phi$  .6255  $\nabla$  .830  
 $\phi$  .6252  $\nabla$  .830  
 $\phi$  .5011 Stevens Bushing  
 $\phi$  .5012 Stevens Bushing  
 P/N 10063



**DIMENSIONS ARE IN INCHES  
 UNLESS OTHERWISE SPECIFIED**  
 ANGULAR:  $\pm$  .5°  
 ONE PLACE DECIMAL  $\pm$  .050  
 TWO PLACE DECIMAL  $\pm$  .015  
 THREE PLACE DECIMAL  $\pm$  .005

3946 W. Clarendon Avenue Phoenix, AZ 85019 Ph. 602 272 6766		Title 2-sided Window Tombstone		Used On HPlus 300	
Material	Scale 1:8	Org	Dwg Chk TM	Date 3/16/2018	Sh of Dwg No 1/1
					118-2W-137034-200