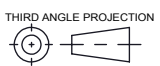
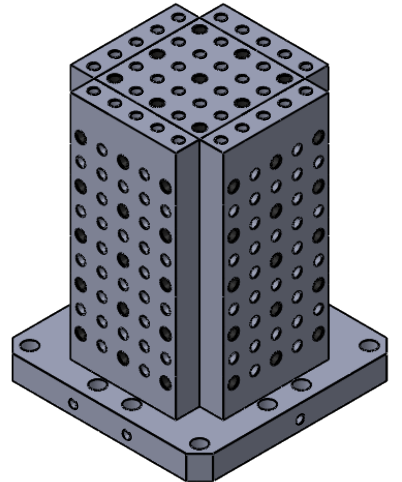


4-Sided Notched Corner Tombstone
Welded Construction
Stress Relieved Before Machining



**DIMENSIONS ARE IN INCHES
UNLESS OTHERWISE SPECIFIED
ANGULAR: ± .5°
ONE PLACE DECIMAL ± .050
TWO PLACE DECIMAL ± .015
THREE PLACE DECIMAL ± .005**

3946 W. Clarendon Avenue Phoenix, AZ 85019 Ph. 602 272 6766		Title 4-sided Tombstone			Used On HPlus 300	
Material	Scale 1:8	Org TM	Dwg Chk Date 3/19/2018	Sh of Dwg No 1/1	Rev	Date
					118-4N-062014-150-STQ	